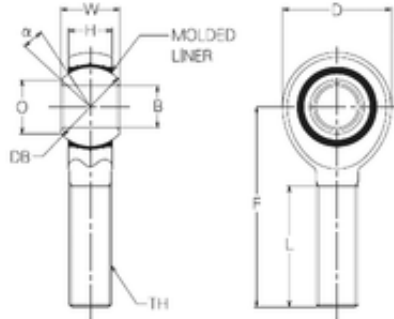




EKV Power Transmission Fittings Co., ...

14 mm x 34 mm x 14 mm 14 mm x 34 mm x 14 mm NMB RBM14E plain bearings



Bearing No. RBM14E

Bore Diameter	14 mm
Width	14 mm
d	14 mm
Db	25,4 mm
O	16,9 mm
B	14 mm
D	34 mm
F	60 mm
H	13,5 mm
L	36 mm
W	19 mm
Angle	16 °
Thread (TH)	M14 × 2,0
Weight	0,13 Kg
Basic static load rating (C0)	8,72 kN

RBM14E Bearing 2D drawings and 3D CAD models