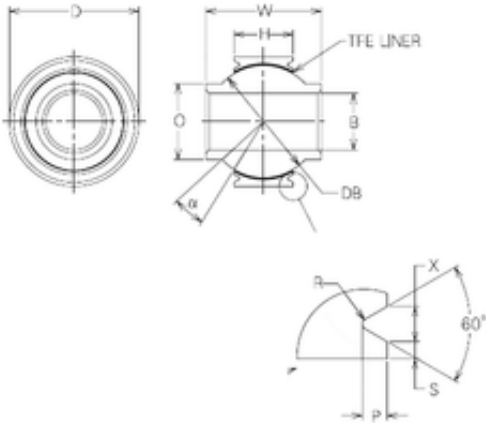




EKU Power Transmission Fittings Co., ...

20 mm x 40 mm x 20 mm 20 mm x 40 mm x 20 mm NMB MBYT20V plain bearings

Bearing No. MBYT20V



MBYT20V Bearing 2D drawings and 3D CAD models

Size	20x40x35.5 mm
Bore Diameter	20 mm
Outer Diameter	40 mm
Width	35,5 mm
d	20 mm
D	40 mm
B	35,5 mm
C	15,5 mm
P	1,5 mm
Db	35 mm
X	2 mm
O	25 mm
B	20 mm
D	40 mm
H	15,5 mm
R	0,5 mm
S	0,7 mm
W	35,5 mm
Angle	18 °
Weight	0,155 Kg
Basic dynamic load rating (C)	98 kN
Static load rating radial (C0)	219,52 kN