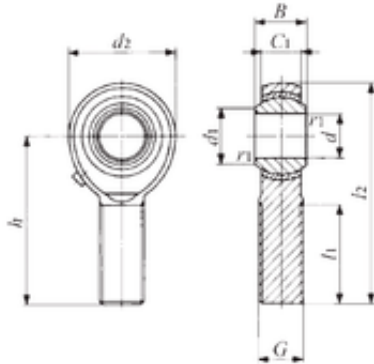




IKO POS 6 plain bearings



Bearing No. POS 6

Bore Diameter	6 mm
d	6 mm
L2	45 mm
d1	9 mm
d2	18 mm
dk	12,700 / mm
h	36 mm
r1 min.	0,2 mm
B	9 mm
C1	6,75 mm
L1	22 mm
Thread (G)	M 6 × 1
Weight	0,019 Kg
Basic dynamic load rating (C)	4,2 kN

POS 6 Bearing 2D drawings and 3D CAD models